



# PIONEERING PROJECT MODEL



# 923

## Pyramid Tower

### Material

No.	Q'ty.	Specification	Description
A	6	Ø 1 cm × 33 cm	Leg for the Pyramid (3 legs for one pyramid)
B	3	Ø 1 cm × 26 cm	Base spreader for lower pyramid
C	3	Ø 1 cm × 20 cm	Base spreader for upper pyramid
D	12	Ø 1 cm × 12 支	Platform Spars (5.8, 6.8, 7.8, 8.8, 9.8, 10.7, 11.6, 12.5, 13.5, 14.2, 15, 15.8cm)
E	9	Ø 1 cm × 5 cm	Ladder rung
F	40	85 cm	Cotton rope



Fig.1 The Lower Pyramid

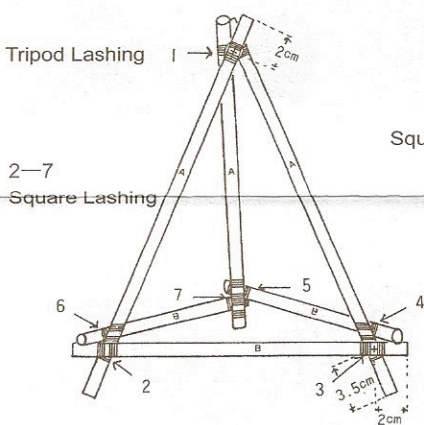


Fig.2 The Upper Pyramid

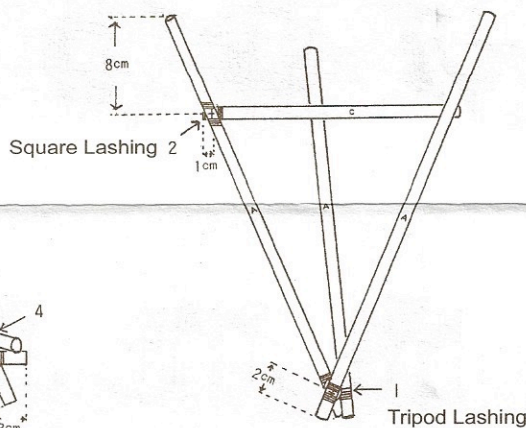


Fig.3 Assembly the lower and upper pyramids together

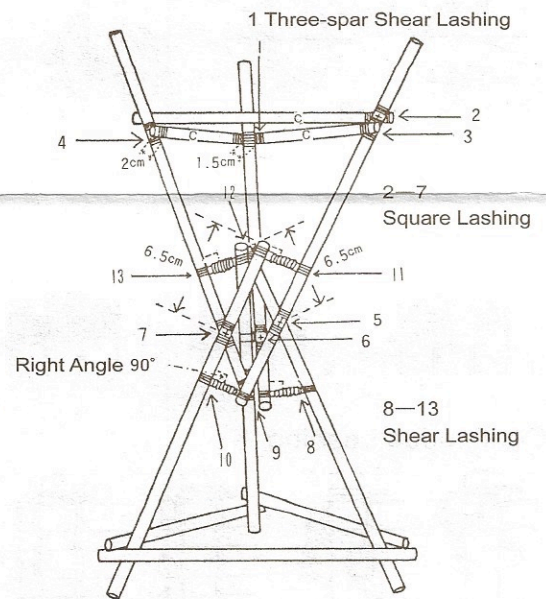


Fig.4 Rope Ladder

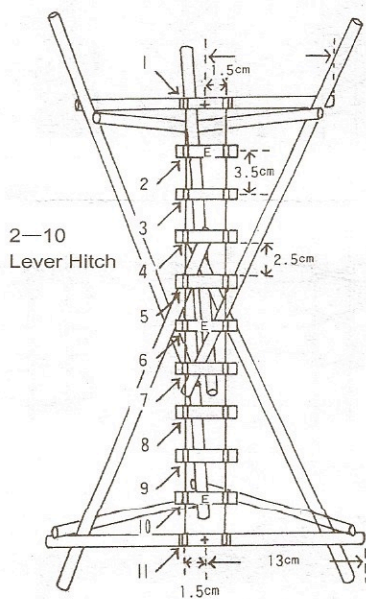


Fig.5 Platform

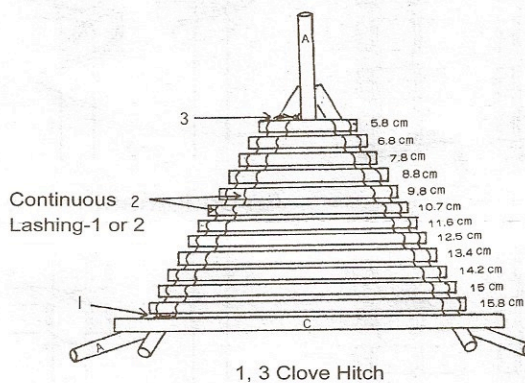
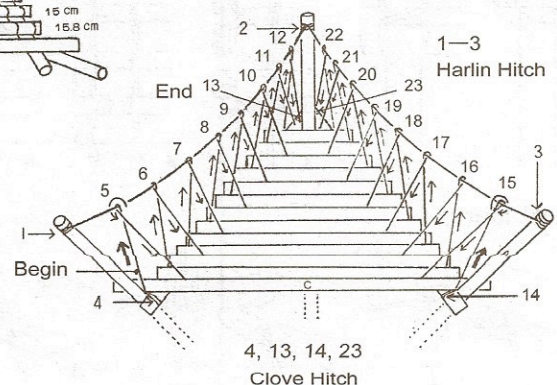


Fig.6 Rope Handrails



1, 11 Harlin Hitch When assembling the rope ladder, finish one side first, then the other side.

